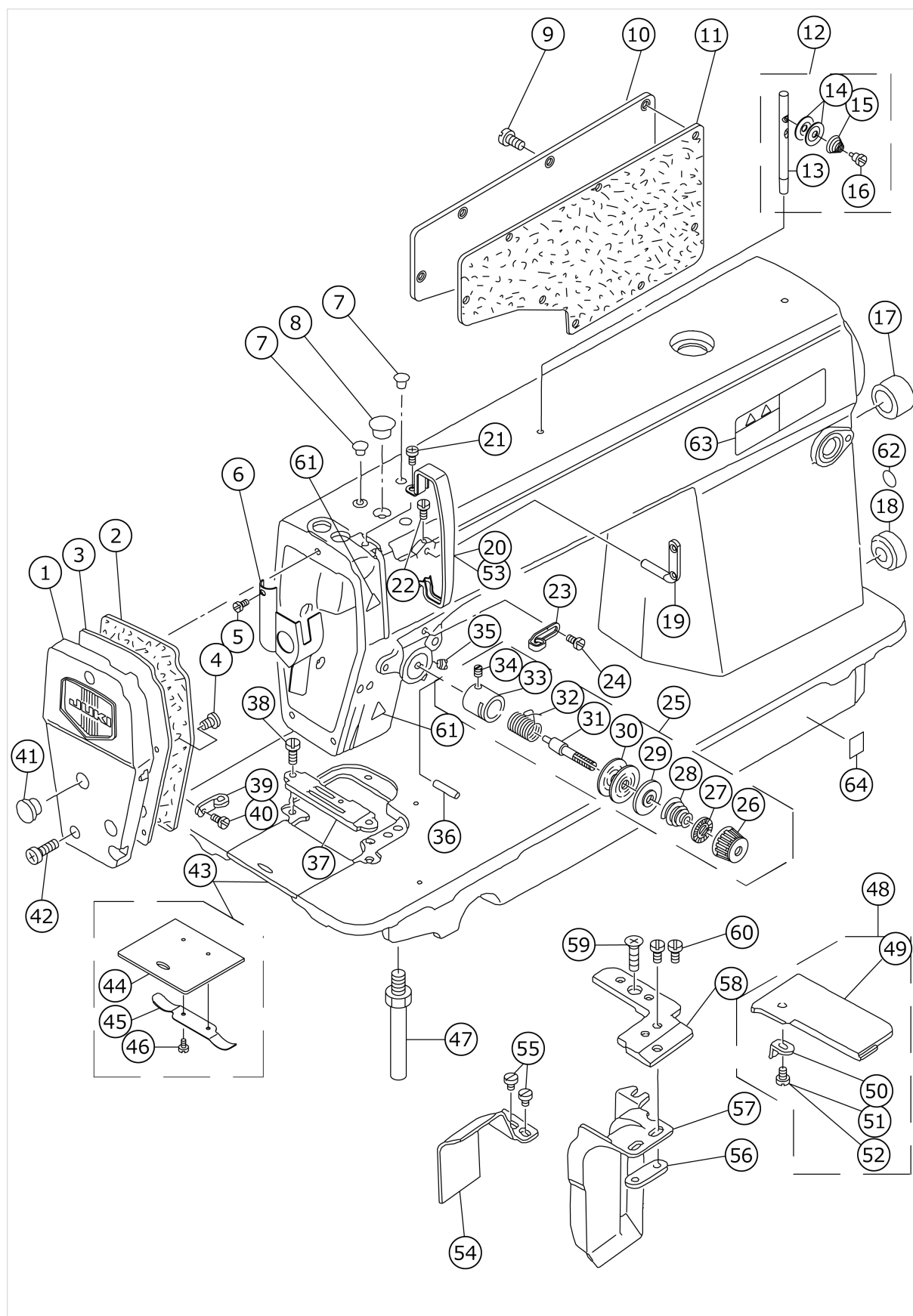


DLM-5200N

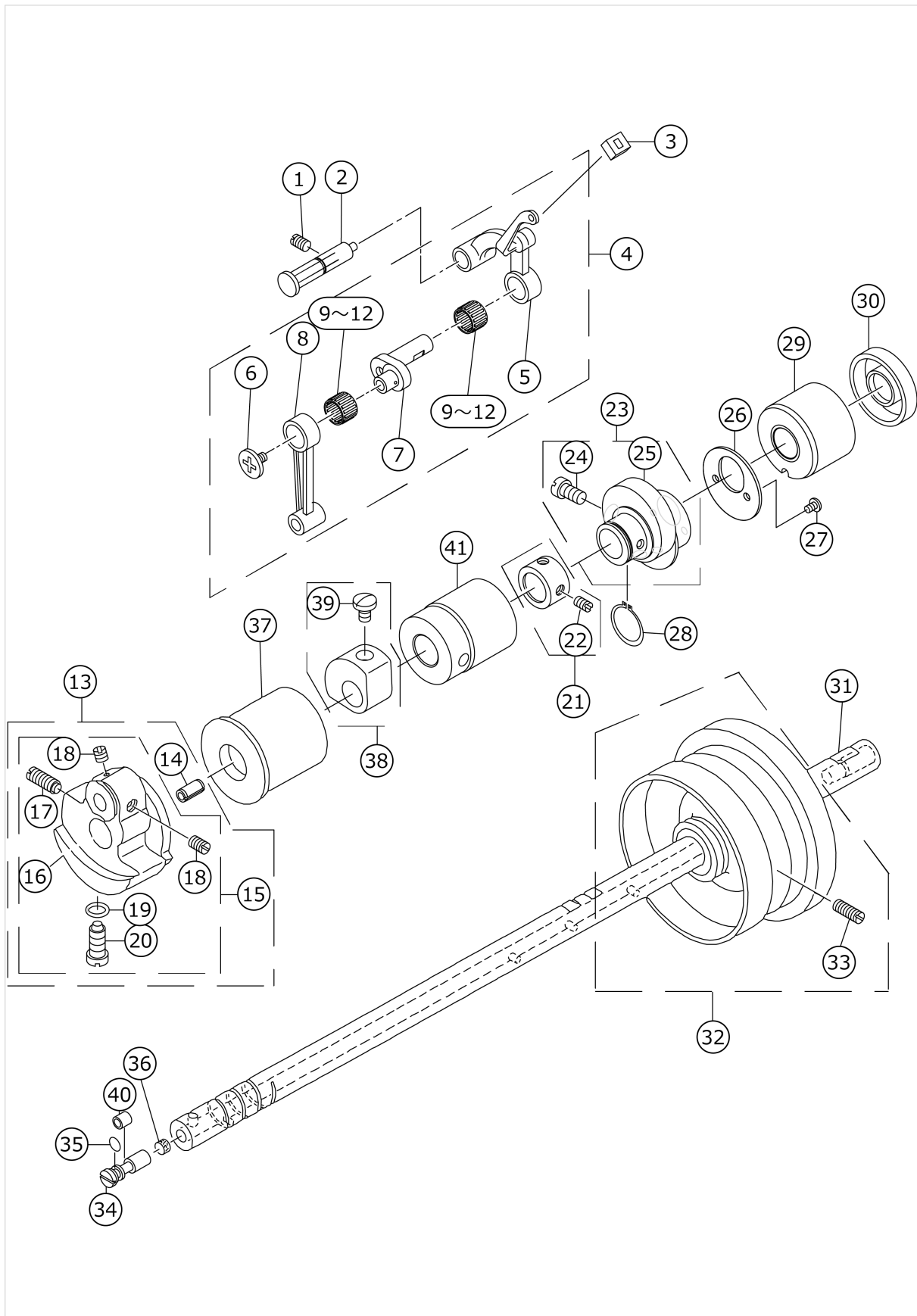
MACHINE FRAME & MISCELLANEOUS COVER COMPONENTS



No.	品番	品名	備考	子部品	消耗品	個数
1	11336559	FACE PLATE ASM.				1.00
2	11000304	FACE PLATE GASKET				1.00
3	11330602	FACE PLATE COVER				1.00
4	SS1110840SP	SCREW 11/64-40 L=8				3.00
5	SS6080410SP	SCREW 1/8-44 L=4				1.00
6	22900757	FACE PLATE OIL SHIELD ASM.				1.00
7	TA0850604R0	RUBBER PLUG				2.00
8	TA1250705R0	RUBBER PLUG				1.00
9	SS4120915SP	SCREW 3/16-28 L=9				8.00
10	22900401	WINDOW PLATE				1.00
11	11003308	GASKET				1.00
12	22932552	NEEDLE THREAD GUIDE PIN ASM.				1.00
13	22932503	THREAD GUIDE ROD		*		1.00
14	22932602	THREAD GUIDE DISK		*		2.00
15	22932701	THREAD GUIDE DISK SPRING		*		1.00
16	SD0380552SL	HINGE SCREW D=3.8 H=5.5		*		1.00
17	TA2000502R0	RUBBER PLUG				1.00
18	TA2101002R0	RUBBER PLUG				1.00
19	22920706	TWO EYELET				1.00
20	22900609	THREAD TAKE-UP LEVER COVER				1.00
21	SS4120615SP	SCREW 3/16-28 L=6				1.00
22	SS4120615SP	SCREW 3/16-28 L=6				1.00
23	22920508	ARM THREAD GUIDE A				1.00
24	22921001	SCREW				1.00
25	22945356	THREAD TENSION ASM.				1.00
26	22921308	THREAD TENSION NUT		*		1.00
27	22921407	ROTATION STOPPER		*		1.00
28	22921704	THREAD TENSION SPRING A		*		1.00
29	22921803	DISK STOPPER		*		1.00
30	22921506	THREAD TENSION DISK		*		2.00
31	22921209	THREAD TENSION POST		*		1.00
32	22921605	THREAD TAKE-UP SPRING		*		1.00
33	22945307	THREAD TENSION POST BASE		*		1.00
34	SS8090670SP	SCREW 9/64-40 L= 5.5		*		1.00
35	SS8150710TP	SCREW 15/64-28 L=7				1.00
36	22920904	PIN				1.00
37	B1190522S00	GAUGE PLATE 1/8 S	SEE THE TABLE OF EXCHANGING GAUGES			1.00
38	SS2110920TP	SCREW 11/64-40 L=8.5				2.00
39	11331402	ARM THREAD GUIDE B				1.00
40	SS6110610TP	SCREW 11/64-40 L=6				1.00
41	TA1250406R0	RUBBER PLUG D=12.5 L=4				2.00
42	SS4121615SP	SCREW 3/16-28 L=16				3.00
43	22901250	SLIDE PLATE ASM.				1.00
44	22901201	SLIDE PLATE		*		1.00
45	22901300	SLIDE PLATE SPRING		*		1.00
46	SS6060210SP	SCREW 3/32-56 L= 1.9		*		2.00
47	22901003	BED SCREW STUD				4.00
48	B11155310AD	THROAT PLATE COVER ASM.	SEE THE TABLE OF EXCHANGING GAUGES			1.00

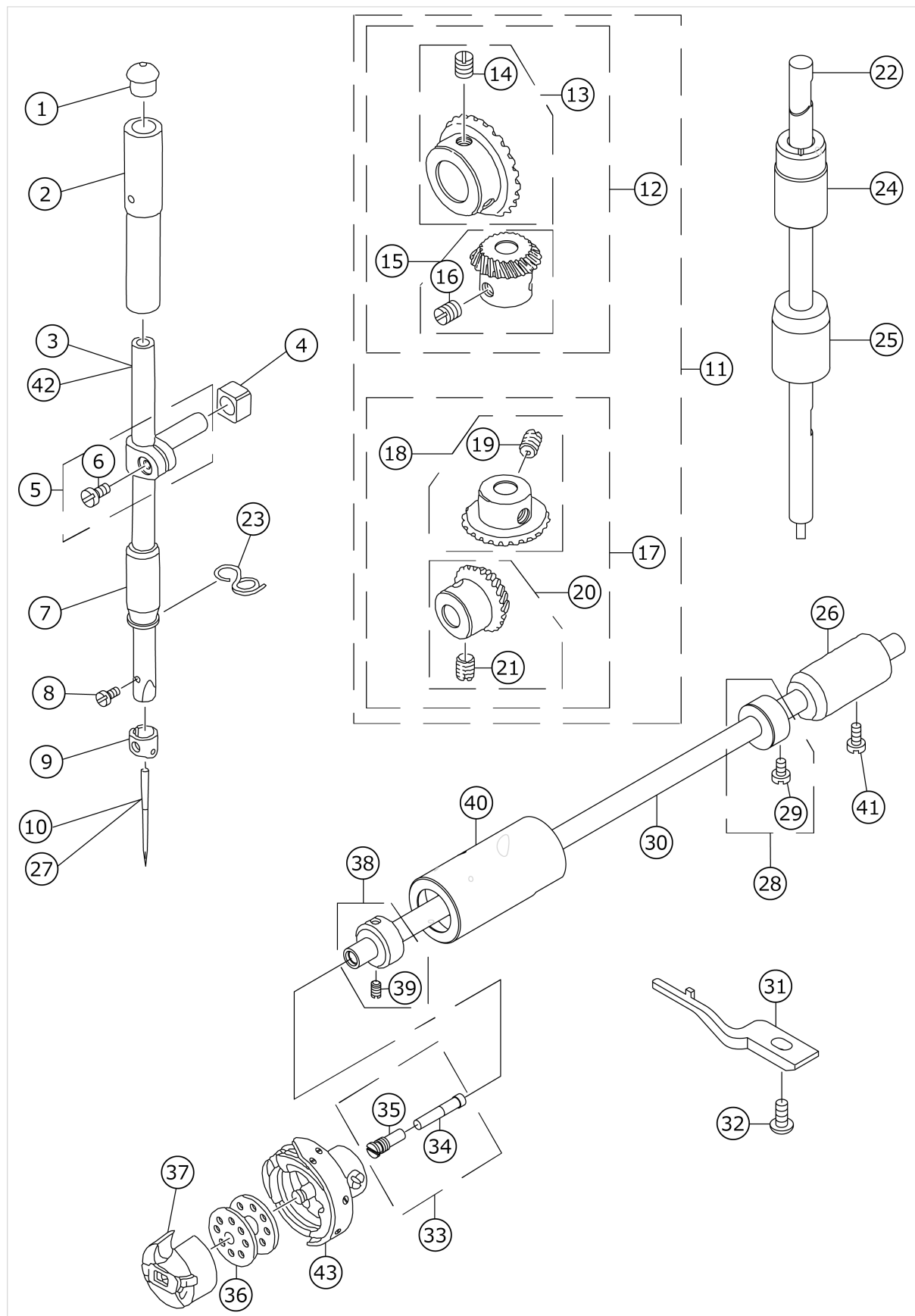
49	B111553100D	THROAT PLATE COVER.		*		1.00
50	B1115522000A	OPEN COVER SPRING		*		1.00
51	SS6080320SP	SCREW 1/8-44 L= 2.5		*		1.00
52	SS4080310SP	SCREW 1/8-44 L=3.4		*		1.00
53	11415205	THREAD TAKE-UP LEVER COVER(JE)	FOR JE			1.00
54	11346400	WASTE MATERIAL GUIDE	SEE THE TABLE OF EXCHANGING GAUGES			1.00
55	SS6080410SP	SCREW 1/8-44 L=4				2.00
56	B1193530000	WASTE MATERIAL GUARD PLATE				1.00
57	11346905	WASTE MATERIAL GUARD E	SEE THE TABLE OF EXCHANGING GAUGES			1.00
58	11346004	NEEDLE PLATE A	SEE THE TABLE OF EXCHANGING GAUGES			1.00
59	SS2110920TP	SCREW 11/64-40 L=8.5				2.00
60	SS6080410SP	SCREW 1/8-44 L=4				2.00
61	CM300200001	ATTENTION SEAL				2.00
62	22901805	GROUND MARK				1.00
63	CM301300001	SAFETY LABEL				1.00
64	40116677	GOST_SAFTY_LABEL_S	FOR JE			1.00

MAIN SHAFT & THREAD TAKE-UP LEVER COMPONENTS



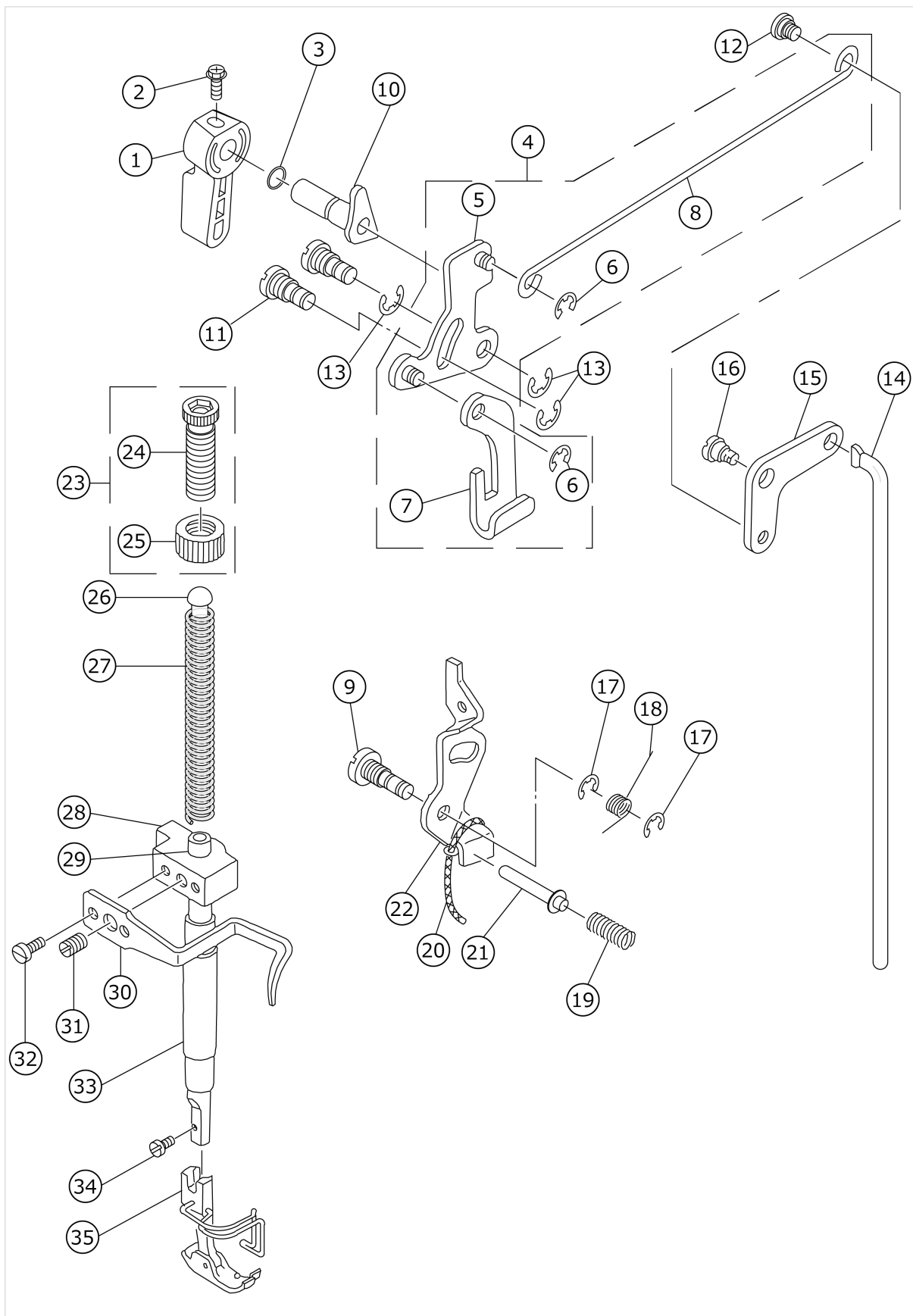
No.	品番	品名	備考	子部品	消耗品	個数
1	SS8151150TP	SCREW 15/64-28 L=10.5				1.00
2	11017357	THREAD TAKE-UP CRANK SHAFT ASM.				1.00
3	22919203	OIL PROTECTING RUBBER				1.00
4	22918072	THREAD TAKE-UP LEVER COMPL.				1.00
5	22918064	THREAD TAKE-UP LEVER ASM.		*		1.00
6	22918304	LEFT SCREW		*		1.00
7	22918106	NEEDLE BAR CRANK		*		1.00
8	22906606	NEEDLE BAR CRANK ROD		*		1.00
9	22918403	NEEDLE BEARING A	SELECTIVE PART(A ~ D)	*		2.00
10	22918502	NEEDLE BEARING B	SELECTIVE PART(A ~ D)	*		2.00
11	22918601	NEEDLE BEARING C	SELECTIVE PART(A ~ D)	*		2.00
12	22918700	NEEDLE BEARING D	SELECTIVE PART(A ~ D)	*		2.00
13	40097022	COUNTER WEIGHT LM COMPL.				1.00
14	PS0400082KP	SPRING PIN		*		1.00
15	40095783	COUNTER WEIGHT_LM ASM.		*		1.00
16	40095784	COUNTER WEIGHT_LM		*		1.00
17	SS8681650TP	SCREW 9/32-28 L=16		*		1.00
18	SS8660610TP	SCREW 1/4-40 L=6		*		2.00
19	RO044240100	RUBBER RING		*		1.00
20	SS7681650TP	SCREW 9/32-28 L=16		*		1.00
21	22904155	MAIN SHAFT THRUST COLLAR ASM.				1.00
22	SS8660610TP	SCREW 1/4-40 L=6		*		2.00
23	22910053	FEED DRIVE ECCENTRIC CAM ASM.				1.00
24	SS6661110SP	SCREW 1/4-40 L=11		*		2.00
25	22910004	FEED DRIVE ECCENTRIC CAM		*		1.00
26	22910103	THRUST COLLAR				1.00
27	SS4090615SP	SCREW 9/64-40 L=6				2.00
28	RC1850001KP	SNAP RING 18.5				1.00
29	11002409	MAIN SHAFT BUSHING REAR				1.00
30	40105231	OIL SEAL				1.00
31	11349008	MAIN SHAFT				1.00
32	11071362	FLYWHEEL ASM.				1.00
33	SS8151550SP	SCREW 15/64-28 L=15		*		2.00
34	22903900	ADJUSTING PIN				1.00
35	RO029180100	RUBBER RING				1.00
36	11002904	ROLLER FELT				1.00
37	11349107	BUSHING FRONT				1.00
38	11349453	BALANCER ASM.				1.00
39	SS7150940SP	SCREW 15/64-28 L=9		*		2.00
40	B1215552000	OIL ADJUSTING COLLAR				1.00
41	22903306	BUSHING INTERMEDIATE				1.00

NEEDLE BAR, UPRIGHT SHAFT & HOOK DRIVING SHAFT COMPONENTS



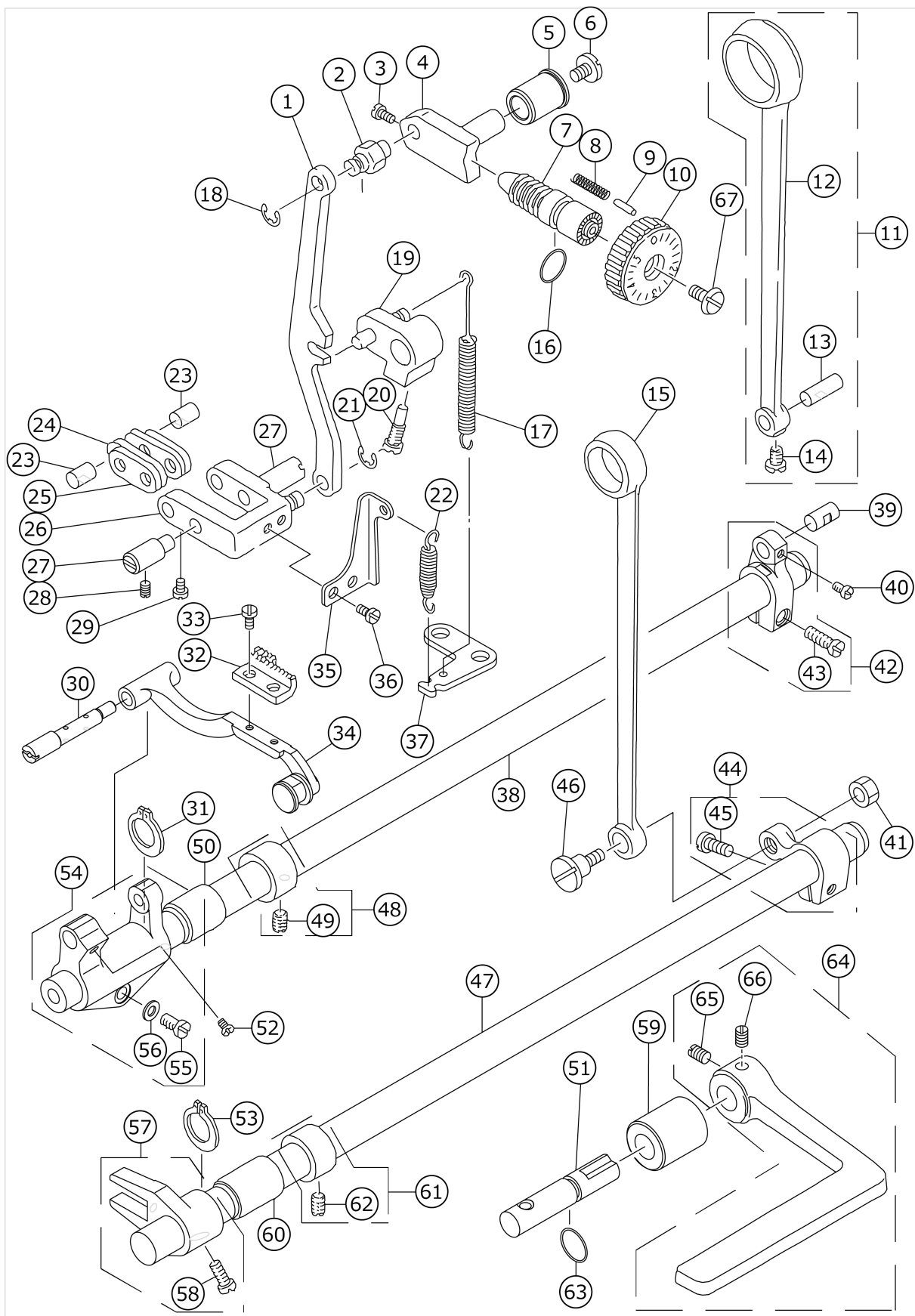
No.	品番	品名	備考	子部品	消耗品	個数
1	22901409	NEEDLE BAR UPPER BUSH CAP				1.00
2	22906101	NEEDLE BAR BUSHING UPPER				1.00
3	B1401522A00A	NEEDLE BAR (A)				1.00
4	40090058	SLIDE BLOCK				1.00
5	22906457	NEEDLE BAR HOLDER ASM.				1.00
6	SS6090670TP	SCREW 9/64-40 L=6		*		1.00
7	22906200	NEEDLE BAR BUSHING LOWER				1.00
8	SS7080510TP	SCREW 1/8-44 L=4.5				1.00
9	11331204	NEEDLE BAR THREAD GUIDE				1.00
10	MDB100B1400	NEEDLE DBX1 #14				1.00
11	B13061550C0	GEAR & PINION ASM.				1.00
12	B13061550B0	GEAR & PINION ASM. UPPER		*		1.00
13	B13050120A0	GEAR ASM.		*		1.00
14	SS8660810TP	SCREW 1/4-40 L=8		*		2.00
15	B13061550A0	PINION ASM.		*		1.00
16	SS8660810TP	SCREW 1/4-40 L=8		*		2.00
17	B13071550B0	GEAR & PINION ASM. LOWER		*		1.00
18	B13071550A0	GEAR ASM. LARGE		*		1.00
19	SS8660810TP	SCREW 1/4-40 L=8		*		2.00
20	B13081550A0	PINION ASM.		*		1.00
21	SS8660810TP	SCREW 1/4-40 L=8		*		2.00
22	22905004	UPRIGHT SHAFT				1.00
23	11331303	NEEDLE BAR THREAD GUIDE				1.00
24	22905103	UPRIGHT SHAFT BUSHING UPPER				1.00
25	11004207	UPRIGHT SHAFT BUSHING LOWER				1.00
26	22916308	HOOK DRIVING SHAFT BUSH REAR				1.00
27	MC200500900	NEEDLE 134 90	FOR JE			1.00
28	22917157	THRUST COLLAR ASM. REAR				1.00
29	SS6110420TP	SCREW 11/64-40 L=4.8		*		2.00
30	22916001	HOOK DRIVING SHAFT				1.00
31	22916407	BOBBIN CASE POSITIONING FINGER				1.00
32	SS4110915TP	SCREW 11/64-40 L=9				1.00
33	22916555	OIL SEAL SCREW ASM.				1.00
34	11015906	OIL WICK		*		1.00
35	22916506	SET SCREW		*		1.00
36	22932909	BOBBIN				1.00
37	B18370120A0	BOBBIN CASE ASM.				1.00
38	22917058	THRUST COLLAR ASM. FRONT				1.00
39	SS8110410TP	SCREW 11/64-40 L= 3.5		*		2.00
40	22916100	HOOK DRIVING SHAFT BUSH FRONT				1.00
41	SS4120915SP	SCREW 3/16-28 L=9				1.00
42	B1401522B00A	NEEDLE BAR(B)	FOR JE			1.00
43	B18301270A0	HOOK ASM.				1.00

HAND LIFTER COMPONENTS



No.	品番	品名	備考	子部品	消耗品	個数
1	22907802	HAND LIFTER				1.00
2	B1521555000	SCREW				1.00
3	RO037180100	RUBBER RING				1.00
4	22908354	KNEE LIFTING CROSS ROD ASM.				1.00
5	22908156	LIFTING LINK ASM.		*		1.00
6	RE0500000K0	E-RING		*		2.00
7	22908008	LIFTING PLATE		*		1.00
8	22908305	KNEE LIFTER SIDE ROD		*		1.00
9	22920102	THREAD RELEASE SHAFT				1.00
10	11092558	HAND LIFTER CAM ASM.				1.00
11	22908701	LINK SHAFT				2.00
12	22908909	HINGE SCREW				1.00
13	RE0500000K0	E-RING				3.00
14	22909006	KNEE LIFTER CONNECTING ROD				1.00
15	22908800	KNEE LIFTER LINK				1.00
16	SD0720331SP	HINGE SCREW D= 7.24 H= 3.3				1.00
17	RE0500000K0	E-RING				2.00
18	22920201	RETURN SPRING				1.00
19	22920409	THREAD RELEASE PIN SPRING				1.00
20	CQ202000000	OIL WICK				0.14
21	22920300	THREAD RELEASE SUPPORTING PIN				1.00
22	22920003	THREAD RELEASE PLATE				1.00
23	22907554	PRESSER SPRING REGULATOR ASM.				1.00
24	22907505	PRESSER SPRING REGULATOR		*		1.00
25	22907604	PRESSER SPRING REGULATOR NUT		*		1.00
26	22907703	PRESSER GUIDE BAR				1.00
27	22907406	PRESSER SPRING				1.00
28	22907208	PRESSER BAR GUIDE BRACKET				1.00
29	B1501522000	PRESSER BAR				1.00
30	22907307	THREAD GUIDE				1.00
31	SS8660810TP	SCREW 1/4-40 L=8				1.00
32	SS6090910SP	SCREW 9/64-40 L=9				2.00
33	40060989	PRESSER BAR BUSHING LOWER				1.00
34	SS7091110TP	SCREW 9/64-40 L=10.5				1.00
35	B1524522NB0A	PRESSER FOOT ASM.	SEE THE TABLE OF EXECHANGING GAUGES			1.00

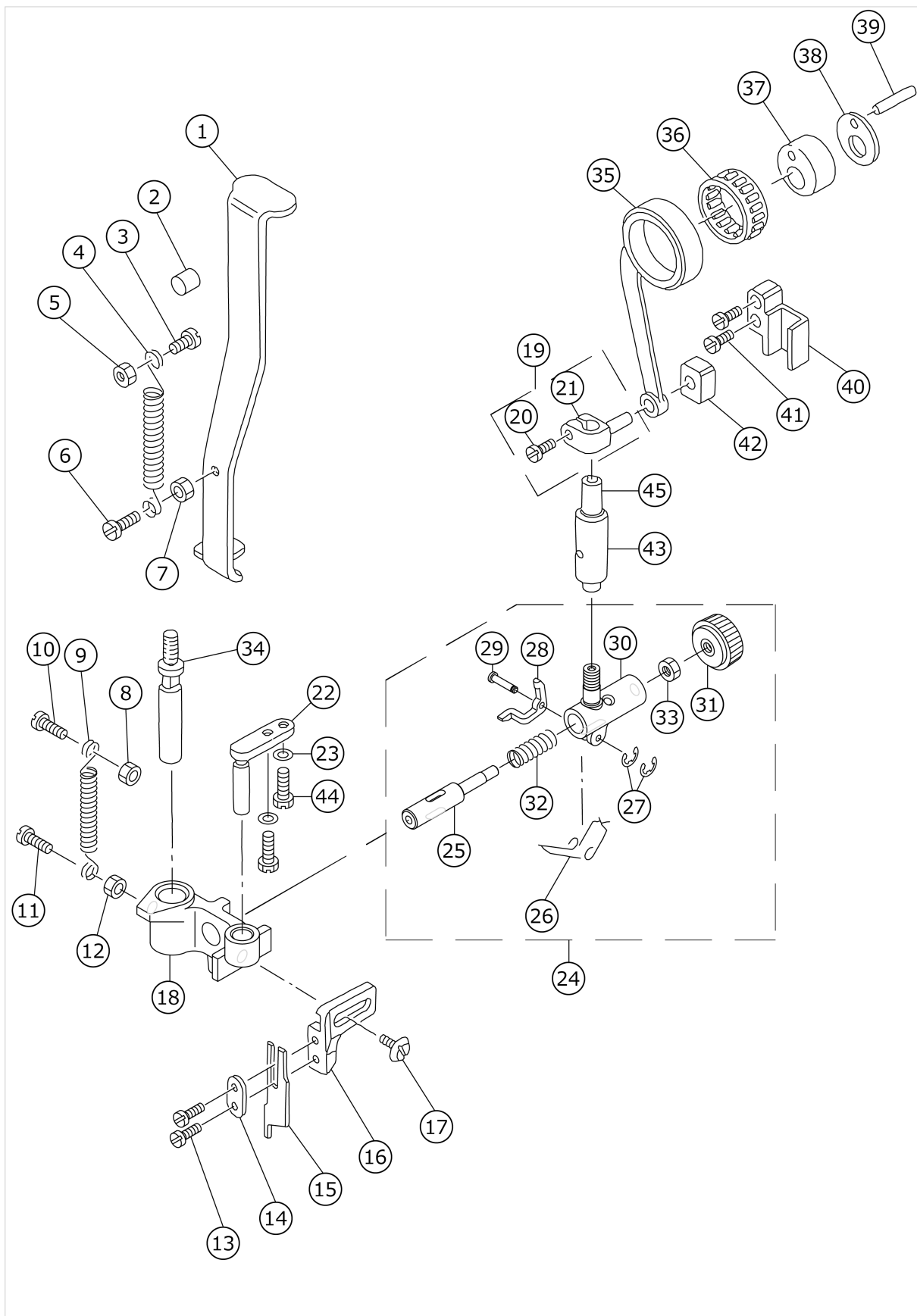
FEED MECHANISM COMPONENTS



No.	品番	品名	備考	子部品	消耗品	個数
1	22911408	FEED REGULATOR CONNCTING ROD				1.00
2	22911507	WALKING FOOT PIN C				1.00
3	SS6090670TP	SCREW 9/64-40 L=6				2.00
4	11009701	FEED REGULATOR				1.00
5	22911705	FEED REGULATOR BUSHING				1.00
6	SS7120770SH	SCREW 3/16-28 L=7				1.00
7	22911804	FEED REGULATOR SCREW				1.00
8	22912109	FEED REGULATOR PIN SPRING				1.00
9	22912000	FEED REGULATOR PIN				1.00
10	11071909	FEED DIAL				1.00
11	22910251	ROCKER SHAFT CONNECTING ROD ASM.				1.00
12	22910202	ROCKER SHAFT CONNECTING ROD		*		1.00
13	22911101	WALKING FOOT PIN C		*		1.00
14	SS6090620TP	SCREW		*		1.00
15	22915003	CONNECTING ROD				1.00
16	RO092270200	RUBBER RING				1.00
17	11010303	FEED REVERSE SPRING				1.00
18	RE0500000K0	E-RING				1.00
19	22912257	FEED REVERSE ARM ASM.				1.00
20	22912505	FEED REVERSE ARM SCREW				1.00
21	RE0500000K0	E-RING				1.00
22	11009404	ADJUSTING LINK SPRING				1.00
23	22910905	WALKING FOOT PIN A				2.00
24	40089548	CONNECTING LINK B				2.00
25	40093417	CONNECTING LINK A				2.00
26	11008455	WALKING FOOT ADJUSTING LINK				1.00
27	22910806	ADJUST LINK FULCRUM SHAFT A				2.00
28	SS8150710TP	SCREW 15/64-28 L=7				2.00
29	SS6090620TP	SCREW				2.00
30	22940803	FEED BAR SHAFT				1.00
31	RC0150001KP	RETAINING RING 13.8				1.00
32	B1613522N00A	FEED DOG	SEE THE TABLE OF EXECHANGING GAUGES			1.00
33	SS4080620TP	SCREW 1/8-44 L=6				2.00
34	22971857	FEED BASE ASM.				1.00
35	22941306	REGULATOR LINK SPRING HOOK				1.00
36	SS4110515SP	SCREW 11/64-40 L=5				2.00
37	22913701	FEED SPRING HOOK				1.00
38	22912901	FEED ROCKER SHAFT				1.00
39	22911002	WALKING FOOT PIN B				1.00
40	SS6090620TP	SCREW				1.00
41	NS6680410SP	NUT 9/32-28				1.00
42	22910350	FEED ROCKER SHAFT CRANK ASM.				1.00
43	SS6121610SP	SCREW 3/16-28 L=15.5		*		1.00
44	22915151	FEED ARM COMPL.				1.00
45	SS7121610SP	SCREW 3/16-28 L=15.5		*		1.00
46	SD1000801SH	HINGE SCREW D=10 H=8				1.00
47	22915201	FEED DRIVING SHAFT				1.00
48	22904155	MAIN SHAFT THRUST COLLAR ASM.				1.00

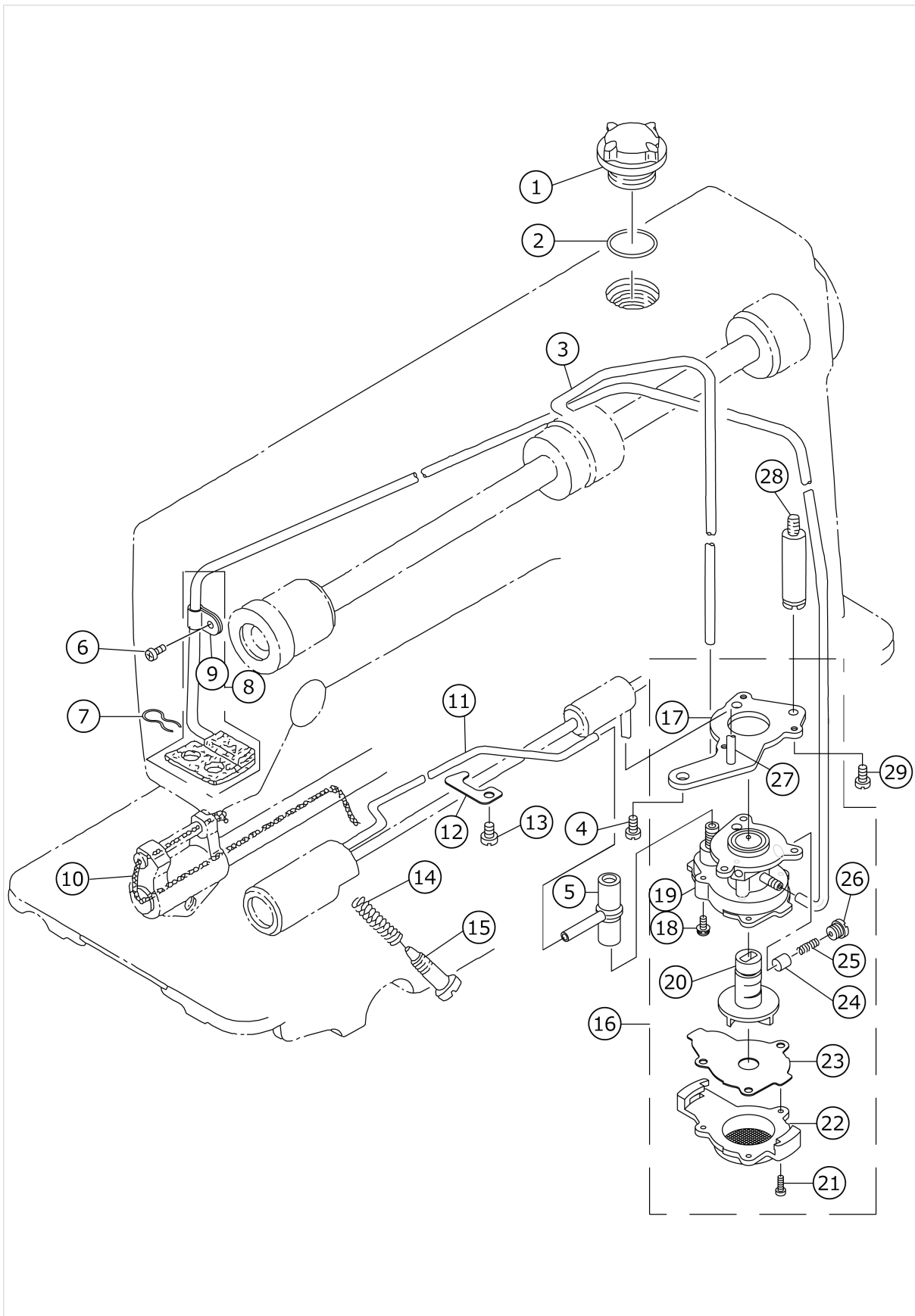
49	SS8660610TP	SCREW 1/4-40 L=6		*		2.00
50	22913008	FEED ROCKER SHAFT BUSHING				1.00
51	40100084	FEED LEVER SHAFT				1.00
52	SS7110740TP	SCREW 11/64-40 L=7				1.00
53	RC0150001KP	RETAINING RING 13.8				1.00
54	22940654	FEED ROCKER ASM.				1.00
55	SS7121410TP	SCREW 3/16-28 L=14		*		1.00
56	WP0480856SP	WASHER 4.8X8.4X0.8		*		1.00
57	22915359	DRIVING SHAFT CRANK ASM.				1.00
58	SS7111120SP	SCREW 11/64-40 L=10.5		*		1.00
59	22912802	FEED LEVER SHAFT BUSHING				1.00
60	22913008	FEED ROCKER SHAFT BUSHING				1.00
61	22904155	MAIN SHAFT THRUST COLLAR ASM.				1.00
62	SS8660610TP	SCREW 1/4-40 L=6		*		2.00
63	RO078190100	RUBBER RING				1.00
64	22912752	FEED LEVER ASM.				1.00
65	SM8061010TP	SCREW		*		1.00
66	SM8061050TP	SCREW		*		1.00
67	SS6121860SP	SCREW 3/16-28 L=18				1.00

KNIFE COMPONENTS



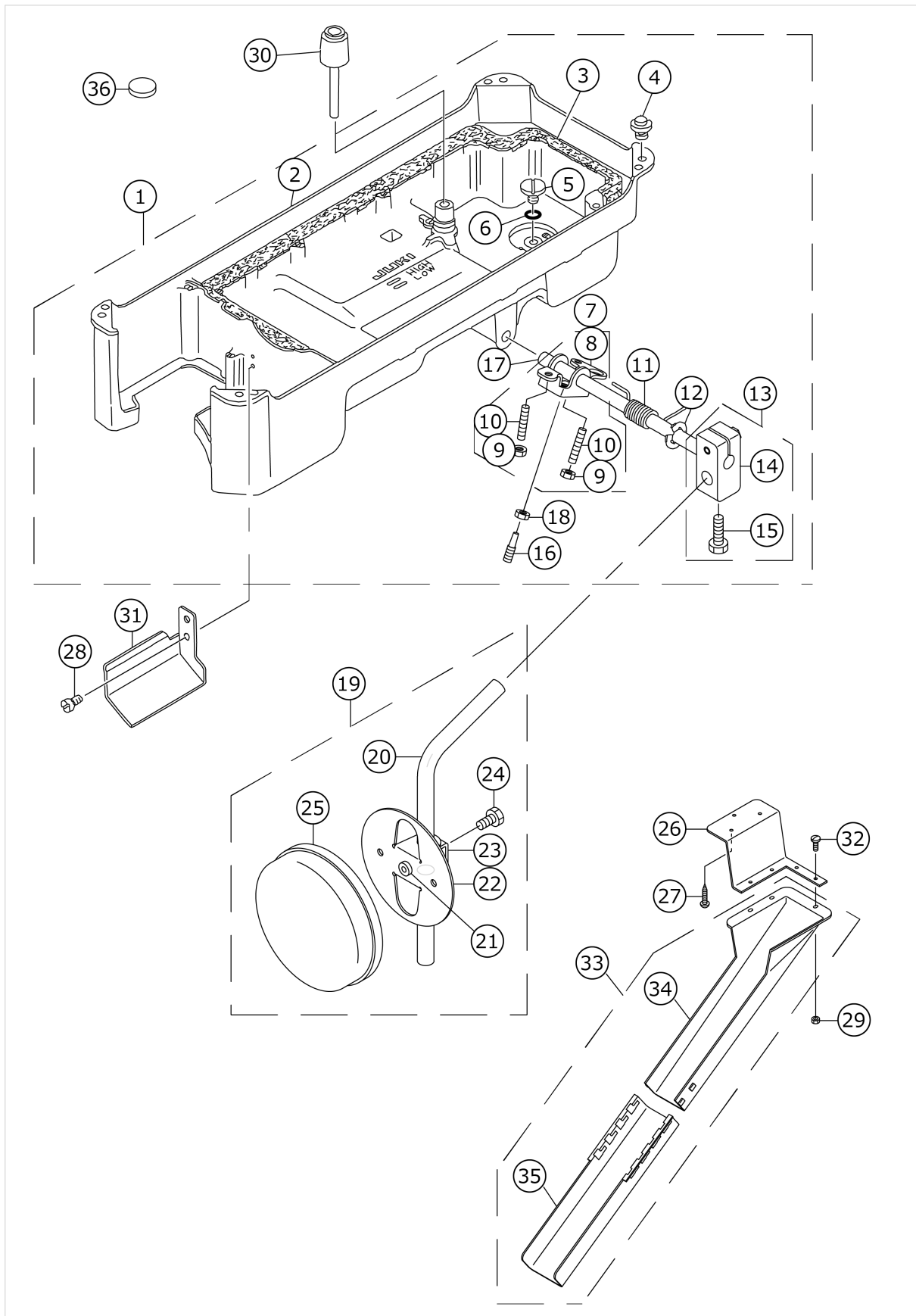
No.	品番	品名	備考	子部品	消耗品	個数
1	11332400	KNIFE POSITIONING PLATE				1.00
2	B4131522000	FELT				1.00
3	SS4090815SP	SCREW 9/64-40 L=8				1.00
4	B4133522000	TENSION SPRING				1.00
5	NS6090310SP	NUT 9/64-40				1.00
6	SS4090815SP	SCREW 9/64-40 L=8				1.00
7	NS6090310SP	NUT 9/64-40				1.00
8	NS6120310SP	NUT 3/16-28				1.00
9	B4119522000	TENSION SPRING				1.00
10	SS6121010SP	SCREW 3/16-28 L=10				1.00
11	SS6111010TP	SCREW 11/64-40 L= 9.5				1.00
12	NS6110420SP	NUT 11/64-40				1.00
13	SS4080620TP	SCREW 1/8-44 L=6				2.00
14	B4122522000	WASHER				1.00
15	B4121522000	KNIFE	SEE THE TABLE OF EXECHANGING GAUGES			1.00
16	B4120522000	KNIFE HOLDER				1.00
17	SS6110810TP	SCREW 11/64-40 L=8				1.00
18	B4113522000A	KNIFE DRIVING BLOCK				1.00
19	40080466	KNIFE DRIVING STUD CONNECTION				1.00
20	SS6090810TP	SCREW 9/64-40 L=7.5		*		1.00
21	11332202	KNIFE DRIVING STUD CONNECTION		*		1.00
22	B4115522000	GUIDE STUD FOR KNIFE DRIVING B				1.00
23	WP0480856SP	WASHER 4.8X8.4X0.8				2.00
24	B41035220A0A	CLUTCH RETAINER ASM.				1.00
25	B4111522000A	KNIFE DRIVING ROD CLUTCH PIN		*		1.00
26	B4125522000	SPRING		*		1.00
27	RE0200000K0	E-RING		*		2.00
28	B4124522000	KNIFE RELEASE LEVER		*		1.00
29	B4126522000A	KNIFE RELEASE LEVER PIN		*		1.00
30	40094031	KNIFE DRIVING ROD CLUTCH RETAI		*		1.00
31	B4109522000A	KNIFE DRIVING ROD CLUTCH KNOB		*		1.00
32	B4110522000	SPRING		*		1.00
33	NM6040001SD	NUT M4		*		1.00
34	B4114522000	KNIFE DRIVING BLOCK STUD				1.00
35	11332301	KNIFE DRIVING ROD				1.00
36	B4123522000	KNIFE NEEDLE BEARING				1.00
37	B4106522000B	KNIFE CAM				1.00
38	B4132522000A	THRUST PLATE				1.00
39	B4107522000	PIN				1.00
40	B4108522000	SLIDE BLOCK GUIDE				1.00
41	SS6121060SP	SCREW 3/16-28 L=9.5				2.00
42	B1414555000	SLIDE BLOCK				1.00
43	B4116530000	BUSHING				1.00
44	SS9120910TP	SCREW 3/16-28 L=9				2.00
45	B4102522000	KNIFE DRIVING STUD				1.00

OIL LUBRICATION COMPONENTS



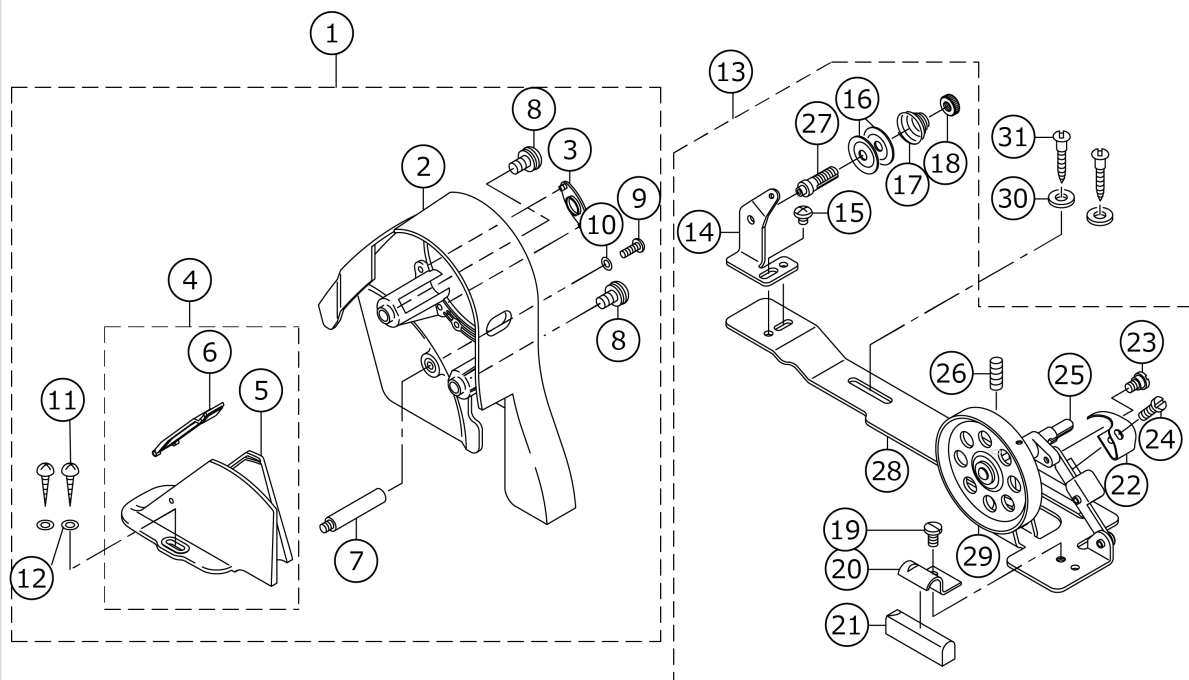
No.	品番	品名	備考	子部品	消耗品	個数
1	22924708	OIL SIGHT WINDOW				1.00
2	RO195240100	RUBBER RING				1.00
3	22924401	MAIN SHAFT OIL TUBE				1.00
4	SS4150915SP	SCREW 15/64-28 L=9				1.00
5	22924609	RUBBER JOINT				1.00
6	SS4120615SP	SCREW 3/16-28 L=6				1.00
7	22925101	OIL FELT PRESSER				1.00
8	11331758	OIL RETURN TUBE ASM.				1.00
9	22924302	RETURN PIPE HOLDER		*		1.00
10	CQ252000000	OIL WICK				0.30
11	22924500	HOOK OIL TUBE				1.00
12	22924807	PIPE HOLDER LOWER				1.00
13	SS4150915SP	SCREW 15/64-28 L=9				1.00
14	22924906	OIL REGULATOR SCREW SPRING				1.00
15	22925002	OIL REGULATOR SCREW				1.00
16	22923056	OIL PUMP ASM.				1.00
17	22923312	PUMP BODY INSTALLING PLATE		*		1.00
18	SL4030851SF	SCREW M3 L=8		*		3.00
19	22923015	PUMP BODY		*		1.00
20	22923700	IMPELLER		*		1.00
21	SE4301041SR	SCREW D=3 L=10		*		3.00
22	22923205	PUMP BODY COVER		*		1.00
23	22923809	PUMP BODY SUPPORT PLATE		*		1.00
24	22923403	PLUNGER		*		1.00
25	22923601	PLUNGER SPRING		*		1.00
26	22923502	PLUNGER SCREW		*		1.00
27	22923908	HOOK DRIVING SHAFT OILING PIPE		*		1.00
28	22924005	PUMP BODY STRUT				1.00
29	SS6111010TP	SCREW 11/64-40 L= 9.5				1.00

OIL RESERVOIR COMPONENTS



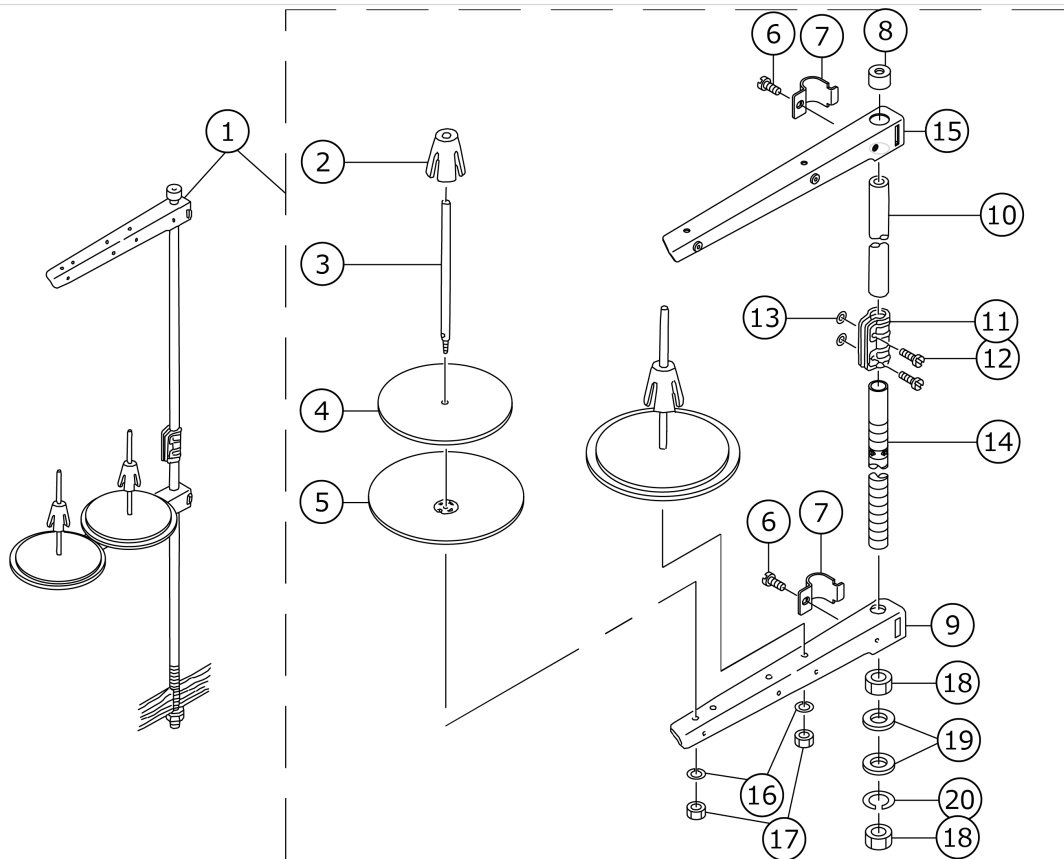
No.	品番	品名	備考	子部品	消耗品	個数
1	11360757	OIL RESERVOIR ASM.				1.00
2	11360708	OIL RESERVOIR		*		1.00
3	11023108	GASKET		*		1.00
4	11047107	RUBBER CUSHION		*		4.00
5	SS6700710SH	SCREW 5/16-24 L=7		*		1.00
6	RO098240100	RUBBER RING		*		1.00
7	22932156	KNEE LIFTER ROTATION ARM ASM.		*		1.00
8	22932107	KNEE LIFTER ROTATION ARM		*		1.00
9	NM6060001SE	NUT M6		*		2.00
10	SM8063012TR	SCREW M6 L=30		*		2.00
11	22932206	SPRING		*		1.00
12	RE1000000K0	E-RING 10		*		1.00
13	22932453	BRACKET ASM.		*		1.00
14	22932404	BRACKET		*		1.00
15	22934707	BRECKET SCREW		*		2.00
16	40101720	SCREW_M6		*		1.00
17	22932305	KNEE PRESS CROSS SHAFT		*		1.00
18	NM6060001SE	NUT M6		*		1.00
19	22934251	KNEE PAD PLATE ASM.				1.00
20	22934608	KNEE PAD UPRIGHT SHAFT		*		1.00
21	22934400	KNEE PAD PLATE RUBBER		*		1.00
22	22934202	KNEE PAD PLATE		*		1.00
23	22934301	KNEE PAD PLATE SUPPORT		*		1.00
24	SM9061203SE	SCREW M6 L=12		*		1.00
25	22934509	KNEE PAD PLATE COVER		*		1.00
26	40064815	WASTE MATERIAL CHUTE HOLDER				1.00
27	SK3412000SC	WOOD SCREW D=4.1 L=20				3.00
28	SS4110715SP	SCREW 11/64-40 L=7				2.00
29	NS6090310SP	NUT 9/64-40				3.00
30	11024304	KNEE PRESS LIFTER ROD				1.00
31	11361003	OIL PUSH GUIDE				1.00
32	SS7091110SP	SCREW 9/64-40 L=10.5				3.00
33	40056521	WASTE MATERIAL CHUTE HOLDER ASM.				1.00
34	40053719	CLOTH WASTE CHUTE UPPER		*		1.00
35	12341806	CLOTH WASTE CHUTE		*		1.00
36	B8228125000	OIL RESERVOIR MAGNET				1.00

BELT COVER & BOBBIN WINDER COMPONENTS



No.	品番	品名	備考	子部品	消耗品	個数
1	22933451	BELT COVER ASM.				1.00
2	22933402	BELT COVER A		*		1.00
3	22933501	BELT COVER A CAP		*		1.00
4	22933659	BELT COVER B COMPL.		*		1.00
5	22933600	BELT COVER B		*		1.00
6	22933758	BELT COVER B LID ASM.		*		1.00
7	22933907	BELT COVER STRUT		*		1.00
8	22934004	SET SCREW		*		2.00
9	SS4121415SP	SCREW 3/16-28 L=14		*		1.00
10	WP0501016SD	WASHER 5X10.5X1		*		1.00
11	SK3412000SC	WOOD SCREW D=4.1 L=20		*		2.00
12	WP0450826SC	WASHER 4.5X10X0.8		*		2.00
13	22927354	BOBBIN WINDER COMPL.				1.00
14	22928501	THREAD TENSION POST BASE		*		1.00
15	SS4110515SP	SCREW 11/64-40 L=5		*		1.00
16	22928907	THREAD TENSION DISK		*		2.00
17	22929004	THREAD TENSION SPRING		*		1.00
18	22928808	NUT		*		1.00
19	SS7110350SP	SCREW 11/64-40 L=3.5		*		1.00
20	22928402	CONTROL RUBBER HOLDING PLATE		*		1.00
21	22928303	CONTROL RUBBER		*		1.00
22	22928105	BOBBIN PRESSER		*		1.00
23	SD0490261SP	HINGE SCREW D=4.9 H=2.6		*		1.00
24	SS7081310SP	SCREW 1/8-44 L=12.5		*		1.00
25	22927602	BOBBIN WINDER SPINDLE		*		1.00
26	SS8110510SP	SCREW 11/64-40 L=5		*		1.00
27	22928709	THREAD TENSION POST		*		1.00
28	22927305	BOBBIN WINDER BASE		*		1.00
29	22927404	BOBBIN WINDER		*		1.00
30	WP0450826SC	WASHER 4.5X10X0.8				2.00
31	SK3412000SC	WOOD SCREW D=4.1 L=20				2.00

THREAD STAND COMPONENTS



No.	品番	品名	備考	子部品	消耗品	個数
1	22930358	THREAD STAND ASM.				1.00
2	22931109	SPOOL RETAINER		*		2.00
3	22931000	SPOOL PIN		*		2.00
4	22930903	SPOOL REST CUSHION		*		2.00
5	22930804	SPOOL REST		*		2.00
6	SM6061610SC	SCREW M6 L=16		*		2.00
7	22930705	THREAD GUIDE ARM JOINT		*		2.00
8	22931406	SPOOL REST ROD RUBBER CAP		*		1.00
9	22930507	SPOOL REST ARM		*		1.00
10	22930408	SPOOL REST ROD UPPER		*		1.00
11	22931307	SPOOL REST ROD JOINT		*		1.00
12	SM4051405SE	SCREW M5 L=14		*		2.00
13	NM6050001SE	NUT M5		*		2.00
14	22930309	SPOOL REST ROD LOWER		*		1.00
15	22930556	THREAD STANDING ARM ASM.		*		1.00
16	WS0510002KN	SPRING WASHER		*		2.00
17	NM6050001SE	NUT M5		*		2.00
18	NM6160511SE	NUT M16X1.5		*		2.00
19	WP1612616SE	WASHER 16.1X30X2.6		*		2.00
20	WS1643202KR	SPRING WASHER		*		1.00





TABLE OF EXECHANGING GAUGES (1)

Specifications of the sub-gauge	Gauge width	1		2		3		4		5		Type	Note
		Throat plate 針板		Throat plate cover (arm) accessory 針板蓋(組) *付属品		Gauge ゲージ		Throat plate chip guard 針板布屑カパー		Throat plate chip guard accessory 針板布屑カパー *付属品			
		Ref.no	Part no	Ref.no	Part no	Ref.no	Part no	Ref.no	Part no	Ref.no	Part no		
サブゲージ仕様	サブゲージ巾											仕様	備考
CA	5/64" (2.0mm)	①	11346004	⑱	B11155310AD	⑳	B1190522Y0A	㉑	11346905	㉒	11347002	Spare parts type 補用(パーツ)仕様	Cut-after knife type 後メスタイプ
C	3/32" (2.4mm)	②	11346004	⑳	B11155310AD	㉓	B1190522X00	㉔	11346905	㉕	11347002	Special type 特別仕様	
CB	3/32" (2.4mm)	③	11346004	㉑	B11155310AD	㉖	B1190522X0B	㉗	11346905	㉘	11347002	Spare parts type 補用(パーツ)仕様	As compared with B1190522X00, the grooves of the feed dog are 3 rows instead of 2 rows. B1190522X00に対し、送り溝を2列→3列にしたもの
D	1/8" (3.2mm)	④	11346004	㉒	B11155310AD	㉙	B1190522S00	㉚	11346905	㉛	11347002	Standard type 標準仕様	In case of the gauge of 6mm or more, this gauge is packed with the accessories. (Limited to JA, JE, JH, TP) ゲージ巾6mm以上の場合に付属同種(JA,JE,JH,TPに限定)
E	5/32" (4.0mm)	⑤	11346004	㉓	B11155310AD	㉜	B1190522Y00	㉝	11346905	㉞	11347002	Special type 特別仕様	
EA	5/32" (4.0mm)	⑥	11346004	㉔	B11155310AD	㉞	11362753	⑥	11346905	⑦	11347002	Spare parts type 補用(パーツ)仕様	For pattern seamer パターンシーマ用
EB	5/32" (4.0mm)	⑦	11346004	㉕	B11155310AD	㉟	B1190522Y0R	①	11346905	②	11347002	Spare parts type 補用(パーツ)仕様	As compared with B1190522X00, the grooves of the feed dog are 3 rows instead of 2 rows. B1190522X00に対し、送り溝を2列→3列にしたもの
F	3/16" (4.8mm)	⑧	11346004	㉖	B11155300AF	㉡	B1190522T00	②	11346905	③	11347002	Special type 特別仕様	
FA	3/16" (4.8mm)	⑨	11346004	㉗	B11155300AF	㉢	B1190522T0A	③	11346905	④	11347002	Spare parts type 補用(パーツ)仕様	Cut-before knife type 前メスタイプ
FB	3/16" (4.8mm)	⑩	11346004	㉘	B11155300AF	㉣	B1190522Y0C	④	11346905	⑤	11347002	Spare parts type 補用(パーツ)仕様	As compared with B1190522T00, the needle hole of which diameter is set to 0.9 to 1.2mm. B1190522T00に対し、針穴径を0.9→1.2mmに
FC	3/16" (4.8mm)	⑪	11346004	㉙	B11155300AF	㉤	B1190522T0D	⑤	11346905	⑥	11347002	Special type 特別仕様	As compared with B1190522X00, the grooves of the feed dog are 3 rows instead of 2 rows. B1190522X00に対し、送り溝を2列→3列にしたもの
G	7/128" (5.3mm)	⑫	11346004	㉚	B11155300AF	㉥	B1190522Y0F	⑥	11347101	⑦	11347200	Spare parts type 補用(パーツ)仕様	
H	1/4" (6.4mm)	⑬	11346004	㉛	B11155300AF	㉦	B1190522U00	⑦	11347101	⑧	11347200	Special type 特別仕様	In case of the gauge of 6mm or more, this gauge is packed with the accessories. (Limited to JA, JE, JH, TP) ゲージ巾6mm以上の場合に付属同種(JA,JE,JH,TPに限定)
HA	1/4" (6.4mm)	⑭	11346301	㉜	B11155300AF	㉧	B1190522U0AA	⑧	11347101	⑨	11347200	Spare parts type 補用(パーツ)仕様	For preventing material from being caught by the 4-teeth food dog 4枚歯布すまり防止用
K	5/16" (7.9mm)	⑮	11346004	㉝	B11155300AF	㉨	B1190522Y0B	⑨	11347101	⑩	11347200	Spare parts type 補用(パーツ)仕様	
M	3/8" (9.5mm)	⑯	11346004	㉞	B11155300AM	㉩	B1190522V00	⑩	11347309	⑪	11347408	Special type 特別仕様	
MA	3/8" (9.5mm)	⑰	11346004	㉟	B11155300AM	㉪	B1190522V0A	⑪	11347309	⑫	11347408	Spare parts type 補用(パーツ)仕様	As compared with B1190522V00, the feed amount of the feed dog is reduced. B1190522V00に対して送り量を短縮
P	7/16" (11.1mm)	⑱	11346004	㉡	B11155300AM	㉫	B1190522Y0M	⑫	11347309	⑬	11347408	Spare parts type 補用(パーツ)仕様	

No.	品番	品名	備考	子部品	消耗品	個数
1	11346004	NEEDLE PLATE A				1.00
2	11346004	NEEDLE PLATE A				1.00
3	11346004	NEEDLE PLATE A				1.00
4	11346004	NEEDLE PLATE A				1.00
5	11346004	NEEDLE PLATE A				1.00
6	11346004	NEEDLE PLATE A				1.00
7	11346004	NEEDLE PLATE A				1.00
8	11346004	NEEDLE PLATE A				1.00
9	11346004	NEEDLE PLATE A				1.00
10	11346004	NEEDLE PLATE A				1.00
11	11346004	NEEDLE PLATE A				1.00
12	11346004	NEEDLE PLATE A				1.00
13	11346004	NEEDLE PLATE A				1.00
14	11346301	NEEDLE PLATE A				1.00
15	11346004	NEEDLE PLATE A				1.00
16	11346004	NEEDLE PLATE A				1.00
17	11346004	NEEDLE PLATE A				1.00
18	11346004	NEEDLE PLATE A				1.00
19	B11155310AD	THROAT PLATE COVER ASM.				1.00
20	B11155310AD	THROAT PLATE COVER ASM.				1.00
21	B11155310AD	THROAT PLATE COVER ASM.				1.00
22	B11155310AD	THROAT PLATE COVER ASM.				1.00
23	B11155310AD	THROAT PLATE COVER ASM.				1.00
24	B11155310AD	THROAT PLATE COVER ASM.				1.00
25	B11155310AD	THROAT PLATE COVER ASM.				1.00
26	B11155300AF	THROAT PLATE OPEN COVER				1.00
27	B11155300AF	THROAT PLATE OPEN COVER				1.00
28	B11155300AF	THROAT PLATE OPEN COVER				1.00
29	B11155300AF	THROAT PLATE OPEN COVER				1.00
30	B11155300AF	THROAT PLATE OPEN COVER				1.00
31	B11155300AF	THROAT PLATE OPEN COVER				1.00
32	B11155300AF	THROAT PLATE OPEN COVER				1.00
33	B11155300AF	THROAT PLATE OPEN COVER				1.00
34	B11155300AM	THROAT PLATE PLUG ASM. M				1.00
35	B11155300AM	THROAT PLATE PLUG ASM. M				1.00
36	B11155300AM	THROAT PLATE PLUG ASM. M				1.00
37	B1190522Y0A	GAUGE PLATE 5/64				1.00
38	B1190522X00	GAUGE PLATE 3/32 (X)				1.00
39	B1190522X0B	GAUGE 3/32XB				1.00
40	B1190522S00	GAUGE PLATE 1/8 S				1.00
41	B1190522Y00	GAUGE PLATE 5/32 (Y)				1.00
42	11362753	GAUGE ASM. 5/32 E				1.00
43	B1190522Y0R	GAUGE 5/32YR				1.00
44	B1190522T00	GAUGE PLATE 3/16 (T)				1.00
45	B1190522T0A	GUAGE PLATE 3/16 (TA)				1.00
46	B1190522Y0C	GAUGE 3/16 (NEEDLE HOLE 1.2)				1.00
47	B1190522T0D	GAUGE 3/16TD				1.00
48	B1190522Y0F	GAUGE 27/128				1.00
49	B1190522U00	GAUGE PLATE 1/4 (U)				1.00
50	B1190522U0AA	GAUGE 1/4UA				1.00

51	B1190522Y0B	GAUGE				1.00
52	B1190522V00	GAUGE PLATE 3/8 (V)				1.00
53	B1190522V0A	FEED VA				1.00
54	B1190522Y0M	GAUGE				1.00
55	11346905	WASTE MATERIAL GUARD E				1.00
56	11346905	WASTE MATERIAL GUARD E				1.00
57	11346905	WASTE MATERIAL GUARD E				1.00
58	11346905	WASTE MATERIAL GUARD E				1.00
59	11346905	WASTE MATERIAL GUARD E				1.00
60	11346905	WASTE MATERIAL GUARD E				1.00
61	11346905	WASTE MATERIAL GUARD E				1.00
62	11346905	WASTE MATERIAL GUARD E				1.00
63	11346905	WASTE MATERIAL GUARD E				1.00
64	11346905	WASTE MATERIAL GUARD E				1.00
65	11346905	WASTE MATERIAL GUARD E				1.00
66	11347101	WASTE MATERIAL GUARD G				1.00
67	11347101	WASTE MATERIAL GUARD G				1.00
68	11347101	WASTE MATERIAL GUARD G				1.00
69	11347101	WASTE MATERIAL GUARD G				1.00
70	11347309	WASTE MATERIAL GUARD K				1.00
71	11347309	WASTE MATERIAL GUARD K				1.00
72	11347309	WASTE MATERIAL GUARD K				1.00
73	11347002	WASTE MATERIAL GUARD E				1.00
74	11347002	WASTE MATERIAL GUARD E				1.00
75	11347002	WASTE MATERIAL GUARD E				1.00
76	11347002	WASTE MATERIAL GUARD E				1.00
77	11347002	WASTE MATERIAL GUARD E				1.00
78	11347002	WASTE MATERIAL GUARD E				1.00
79	11347002	WASTE MATERIAL GUARD E				1.00
80	11347002	WASTE MATERIAL GUARD E				1.00
81	11347002	WASTE MATERIAL GUARD E				1.00
82	11347002	WASTE MATERIAL GUARD E				1.00
83	11347002	WASTE MATERIAL GUARD E				1.00
84	11347200	WASTE MATERIAL GUARD G				1.00
85	11347200	WASTE MATERIAL GUARD G				1.00
86	11347200	WASTE MATERIAL GUARD G				1.00
87	11347200	WASTE MATERIAL GUARD G				1.00
88	11347408	WASTE MATERIAL GUARD K				1.00
89	11347408	WASTE MATERIAL GUARD K				1.00
90	11347408	WASTE MATERIAL GUARD K				1.00

TABLE OF EXECHANGING GAUGES (2)

Specifications of the sub-gauge	Gauge width	1		2		3		4		Type	Note
		Chip guard 布屑ガイド		Hinging presser (asm) 自由押え(組)		Feed dog 送り歯		Knife メス			
											
サブゲージ仕様	サブゲージ巾	Ref.no	Part no	Ref.no	Part no	Ref.no	Part no	Ref.no	Part no	仕様	備考
CA	5/64" (2.0mm)	①	11346400	⑱	B1524522NB0A	⑳	B1613522N00A	㉑	B1613522N00A	Spare parts type 補用パーツ仕様	Cut-after knife type 後メスタイプ
C	3/32" (2.4mm)	②	11346400	㉒	B1524522NB0A	㉓	B1613522N00A	㉔	B4121522000	Special type 特別仕様	
CB	3/32" (2.4mm)	③	11346400	㉕	B1524522NB0A	㉖	B1613522N0C	㉗	B4121522000	Spare parts type 補用パーツ仕様	As compared with B1190522X00, the grooves of the feed dog are 3 rows instead of 2 rows. B1190522X00に対し、送り溝を2列 3列にしたもの
D	1/8" (3.2mm)	④	11346400	㉘	B1524522NB0A	㉙	B1613522N00A	㉚	B4121522000	Standard type 標準仕様	In case of the gauge of 6mm or more, this gauge is packed with the accessories. (Limited to JA, JE, JH, TP) ゲージ巾6mm以上の場合に付属同梱。(JA, JE, JH, TPに限定)
E	5/32" (4.0mm)	⑤	11346400	㉛	B1524522NB0A	㉜	B1613522N00A	㉝	B4121522000	Special type 特別仕様	
EA	5/32" (4.0mm)	⑥	11346400	㉞	B1524522NB0A	㉟	B1613522N00A	㊱	B4121522000	Spare parts type 補用パーツ仕様	For pattern seamer パターンシーマ用
EB	5/32" (4.0mm)	⑦	11346400	㊲	B1524522NB0A	㊳	B1613522N0D	㊴	B4121522000	Spare parts type 補用パーツ仕様	As compared with B1190522X00, the grooves of the feed dog are 3 rows instead of 2 rows. B1190522X00に対し、送り溝を2列 3列にしたもの
F	3/16" (4.8mm)	⑧	11346400	㊴	B1524522NB0A	㊵	B1613522N00A	㊶	B4121522000	Special type 特別仕様	
FA	3/16" (4.8mm)	⑨	11346400	㊶	B1524522NB0A	㊷	B1613522N00A	㊸	B4121522A00	Spare parts type 補用パーツ仕様	Cut-before knife type 前メスタイプ
FB	3/16" (4.8mm)	⑩	11346400	㊸	B1524522NB0A	㊹	B1613522N00A	㊺	B4121522000	Spare parts type 補用パーツ仕様	As compared with B1190522T00, the needle hole of which diameter is set to Ø1.9 to 1.2mm. B1190522T00に対し、針穴径をØ1.9→1.2mmに
FC	3/16" (4.8mm)	⑪	11346400	㊺	B1524522NB0A	㊻	B1613522N0D	㊼	B4121522000	Special type 特別仕様	As compared with B1190522X00, the grooves of the feed dog are 3 rows instead of 2 rows. B1190522X00に対し、送り溝を2列 3列にしたもの
G	27/128" (5.3mm)	⑫	11346400	㊼	B1524522NB0A	㊽	B1613522N00A	㊾	B4121522000	Spare parts type 補用パーツ仕様	
H	1/4" (6.4mm)	⑬	11346509	㊿	B1524522AB0	㊽	B1613522W00A	㊾	B4121522000	Special type 特別仕様	In case of the gauge of 6mm or more, this gauge is packed with the accessories. (Limited to JA, JE, JH, TP) ゲージ巾6mm以上の場合に付属同梱。(JA, JE, JH, TPに限定)
HA	1/4" (6.4mm)	⑭	11346509	㊽	B1524522AB0	㊾	B1613522A0AA	㊿	B4121522000	Spare parts type 補用パーツ仕様	For preventing material from being caught by the 4-teeth food dog 4枚歯すまり防止用
K	5/16" (7.9mm)	⑮	11346509	㊾	B1524522AB0	㊿	B1613522W00A	㊽	B4121522000	Spare parts type 補用パーツ仕様	
M	3/8" (9.5mm)	⑯	11346509	㊿	B1524522AB0	㊽	B1613522W00A	㊾	B4121522000	Special type 特別仕様	
MA	3/8" (9.5mm)	⑰	11346509	㊽	B1524522AB0	㊿	B1613522B00	㊽	B4122522000	Spare parts type 補用パーツ仕様	As compared with B1190522V00, the feed amount of the feed dog is reduced. B1190522V00に対して送り溝長さを短縮
P	7/16" (11.1mm)	⑱	11346608	㊿	B1524522AB0	㊽	B1613522W00A	㊾	B4121522000	Spare parts type 補用パーツ仕様	

No.	品番	品名	備考	子部品	消耗品	個数
1	11346400	WASTE MATERIAL GUIDE				1.00
2	11346400	WASTE MATERIAL GUIDE				1.00
3	11346400	WASTE MATERIAL GUIDE				1.00
4	11346400	WASTE MATERIAL GUIDE				1.00
5	11346400	WASTE MATERIAL GUIDE				1.00
6	11346400	WASTE MATERIAL GUIDE				1.00
7	11346400	WASTE MATERIAL GUIDE				1.00
8	11346400	WASTE MATERIAL GUIDE				1.00
9	11346400	WASTE MATERIAL GUIDE				1.00
10	11346400	WASTE MATERIAL GUIDE				1.00
11	11346400	WASTE MATERIAL GUIDE				1.00
12	11346400	WASTE MATERIAL GUIDE				1.00
13	11346509	WASTE MATERIAL GUIDE C				1.00
14	11346509	WASTE MATERIAL GUIDE C				1.00
15	11346509	WASTE MATERIAL GUIDE C				1.00
16	11346509	WASTE MATERIAL GUIDE C				1.00
17	11346509	WASTE MATERIAL GUIDE C				1.00
18	11346608	WASTE MATERIAL GUIDE D				1.00
19	B1524522NB0A	PRESSER FOOT ASM.				1.00
20	B1524522NB0A	PRESSER FOOT ASM.				1.00
21	B1524522NB0A	PRESSER FOOT ASM.				1.00
22	B1524522NB0A	PRESSER FOOT ASM.				1.00
23	B1524522NB0A	PRESSER FOOT ASM.				1.00
24	B1524522NB0A	PRESSER FOOT ASM.				1.00
25	B1524522NB0A	PRESSER FOOT ASM.				1.00
26	B1524522NB0A	PRESSER FOOT ASM.				1.00
27	B1524522NB0A	PRESSER FOOT ASM.				1.00
28	B1524522NB0A	PRESSER FOOT ASM.				1.00
29	B1524522NB0A	PRESSER FOOT ASM.				1.00
30	B1524522NB0A	PRESSER FOOT ASM.				1.00
31	B1524522AB0	PRESSER FOOT ASM.				1.00
32	B1524522AB0	PRESSER FOOT ASM.				1.00
33	B1524522AB0	PRESSER FOOT ASM.				1.00
34	B1524522AB0	PRESSER FOOT ASM.				1.00
35	B1524522AB0	PRESSER FOOT ASM.				1.00
36	B1524522AB0	PRESSER FOOT ASM.				1.00
37	B1613522N00A	FEED DOG				1.00
38	B1613522N00A	FEED DOG				1.00
39	B1613522N0C	FEED DOG (NC)				1.00
40	B1613522N00A	FEED DOG				1.00
41	B1613522N00A	FEED DOG				1.00
42	B1613522N00A	FEED DOG				1.00
43	B1613522N0D	FEED DOG ND				1.00
44	B1613522N00A	FEED DOG				1.00
45	B1613522N00A	FEED DOG				1.00
46	B1613522N00A	FEED DOG				1.00
47	B1613522N0D	FEED DOG ND				1.00
48	B1613522N00A	FEED DOG				1.00
49	B1613522W00A	FEED DOG				1.00
50	B1613522A0AA	FEED A				1.00

51	B1613522W00A	FEED DOG				1.00
52	B1613522W00A	FEED DOG				1.00
53	B1613522B00	FEED DOG B				1.00
54	B1613522W00A	FEED DOG				1.00
55	B4145530C00	KNIFE (C)				1.00
56	B4121522000	KNIFE				1.00
57	B4121522000	KNIFE				1.00
58	B4121522000	KNIFE				1.00
59	B4121522000	KNIFE				1.00
60	B4121522000	KNIFE				1.00
61	B4121522000	KNIFE				1.00
62	B4121522000	KNIFE				1.00
63	B4121522A00	KNIFE A				1.00
64	B4121522000	KNIFE				1.00
65	B4121522000	KNIFE				1.00
66	B4121522000	KNIFE				1.00
67	B4121522000	KNIFE				1.00
68	B4121522000	KNIFE				1.00
69	B4121522000	KNIFE				1.00
70	B4121522000	KNIFE				1.00
71	B4122522000	WASHER				1.00
72	B4121522000	KNIFE				1.00

HOW TO MAKE USE OF THIS PARTS LIST

1.Explanation of codes

1)"*"mark.....means this part is changed from the previous parts book.

As to the details of the change, refer to the "List for information of change".

2)"#01".....refer to "Note" explanation at bottom of page.

2.Codes on the "Qty" column

· Each numeral indicates the number of parts required.

· "0.1" and "2.5" indicate the length (in meters) of the respective parts.

3.Parentheses mean that the corresponding part is a subpart that constructs an assembly part.

4.Dotted lines on the Figures indicate assembly parts.

1."注記"欄の記号説明

1) "*"印.....前回のパーツブックに比較して今回変更された部品を意味します。

変更内容は、"変更情報リスト"を参照してください。

2) "#01".....ページ下の"注記"の説明を参照してください。

2.数量欄の数字は、個数を表し、0.1、2.5等の数値は、長さ（単位メートル）を表します。

3.数量欄の（ ）は、組部品を構成している子部品であることを意味します。

4.イラストページの-----枠は、組構成であることを意味します。